
SPECIFICATION FOR APPROVAL

CUSTOMER:

MODEL NO. : 2400040

CUSTOMER NO. :

PRODUCT SPEC. : 24V 0.4A

MARK	REVISED CONTENT	APPROVED & DATE

AUTHORIZED SIGNATURE & COMPANY CHOP	

DATE	5.16	EDITION	rev1.0	PAGE	16
DESIGN	Tony	CHECK/	Jacky	APPROVAL	Eric

ADAPTER

Electrical Specification

SPECIFICATION

DESCRIBED	CHECKED	APPROVED	REV.
			1.0

Date 2009-05-16

Table of Content

Section

History

1.0 Input Characteristics

- 1.1 Rated Input Voltage
- 1.2 Input Voltage Range
- 1.3 Input Frequency range
- 1.4 Input Voltage Harmonic Distortion
- 1.5 Input Current Harmonic
- 1.6 Efficiency(warm up after 1 hour
- 1.7 Inrush current
- 1.8 No Load Power Consumption

2 .0 Output Characteristics

- 2.1 output Rated Voltage
- 2.2 output Current
- 2.3 Output voltage Setting
- 2.4 Output voltage Ripple
- 2.5 Turn-On Delay Time
- 2.6 Hold Up Time
- 2.7 Rise Time
- 2.8 Load Transient Response

3.0 Protection Characteristics

- 3.1 Over Current Protection
- 3.2Over -Voltage Protection

4.0 Environmental Characteristics

- 4.1 Dielectric Strength:(Hi-Pot)
- 4.2 Insulation Resistance
- 4.3 Leakage current
- 4.4 EMI
- 4.5 Safety conforming
- 4.6 Cooling
- 4.7 Temperature
- 4.8 Humidity
- 4.9 MTBF

ADAPTER

Electrical Specification

5.0 Mechanical Characteristics

5.1 Dimension(Length x width x Height)

5.2 Input AC socket Type

5.3 Output DC Cable Length

5.4 AC Cable pulling Removal Strength

5.5 Plug Insert withdraw force

5.6 Drop

5.7 Color

6.0 SCH

7.0 PCB

8.0 Appearance

9.0 Output cables

10.0 Nameplate

ADAPTER

Electrical Specification

History

REV.	Description	Date	Drawn	Mechanical	Electrical	Approved
1.0	Specification For Approval					

MODEL NO.

SHEET 5 OF 15

Date : 2009-05-16

ADAPTER

Electrical Specification

Electrical Requirements

1. Input Characteristics:

ITEM	CONDITION	SPECIFICATION
1.1 Rated Input Voltage		100/240V
1.2 Input Voltage Range	Continuously	90Vac -264Vac
1.3 Input Frequency range	Continuously	47Hz -63Hz
1.4 Input Voltage Harmonic Distortion		
1.5 Input Current Harmonic	100Vac,240Vac/0.2A	EN60950-1
1.6 Efficiency(warm up after 1 hour)	100Vac/0.3A 240Vac/0.15A	$\geq 78\%$
1.7 Inrush current:	100Vac/240Vac	shall be less than the rating of adapter critical component (including rectifiers, fuse surge and current limiting device).
1.8 No Load Power Consumption	100Vac/240Vac 0A load	$< 0.5W$

ADAPTER

Electrical Specification

2. output Characteristics:

ITEM	CONDITION	SPECIFICATION
2.1 output Rated Voltage	100V~240V	24.0V
2.2 output Current	at constant voltage mode	0A-0.4A Max
2.3 Output voltage Setting	the output end of DC cable	23.40V--24.60V
2.4 Output voltage Ripple and Noise:(0.1uF Ceramic Cap.and 50 V 10uF Aluminum Cap.Paralleled between the end of output cable,BW=20MHz)	100Vac/0.3A 240Vac/0.15A	<150mVp-p
2.5 Turn-On Delay Time:	at 100Vac/9.6W load,output voltage shall remain regulation	300mS
2.6 Hold Up Time:	at 100Vac/9.6W or 240Vac/9.6W load,output voltage shall remain regulation	200mS
2.7 Rise Time:	at 100Vac or240Vac/9.6W load,DC output rise time form 5% to 95% of Vo	
2.8 Load Transient Response:	Output load step from 10% to 90% of 1W,S/R=0.5A/us,100Hz &1KHz 50% duty.Output voltage within.	

ADAPTER

Electrical Specification

3. Protection Characteristics:

ITEM	CONDITION	SPECIFICATION
3.1 Over Current Protection:	When an internal fault occur,or an external fault is applied to the adapter,such that an overload or short circuit is applied to the output, the adapter shall shut down,It will enter into normal condition if the fault condition is removed.	$\leq 0.4A$
3.2 Over -Voltage Protection:	The adapter will enter into shut down that means no output while over voltage happened at output terminal that caused by internal fault, the output trip voltage shall not exceed 36volts with a maximum duration of 250 milliseconds.That will bi return to normal until adapter restart.	

ADAPTER

Electrical Specification

4.Environmental Characteristics:

ITEM	CONDITION	SPECIFICATION
4.1 Dielectric Strength:(Hi-Pot)	Between AC input and secondary applied AC 3.0kV, test time 1 minute, and cut off current shall be less than 10 mA.AC 3.0kV, test time 10 Sec. for mass production.	3.0KV
4.2 Insulation Resistance	Between AC input and secondary applied 500Vdc, test time 1 minute. 500Vdc, test time 10 Sec. for mass production.	$\geq 100M \Omega$
4.3 Leakage current	240Vac/50Hz 100Vac/60Hz	$\leq 0.25mA$
4.4 EMI:Adapter comply with the following national standards: EMI:Conducted Emission EMI: Radiated Emission	120Vac/230Vac:0.4A load The adapter internal filter to meet	FCC CLASS B
4.5 Safety conforming:	Regulated by customer	
4.6 Cooling	Natural air cooling	
4.7 Temperature:	Operation Storage	0 to +40°C -40°C to +55°C
4.8 Humidity:	Operation Storage	20% ~85% 10%~95%
4.9 MTBF	80% maximum load at 25°C	$\geq 50000H$

ADAPTER

Electrical Specification

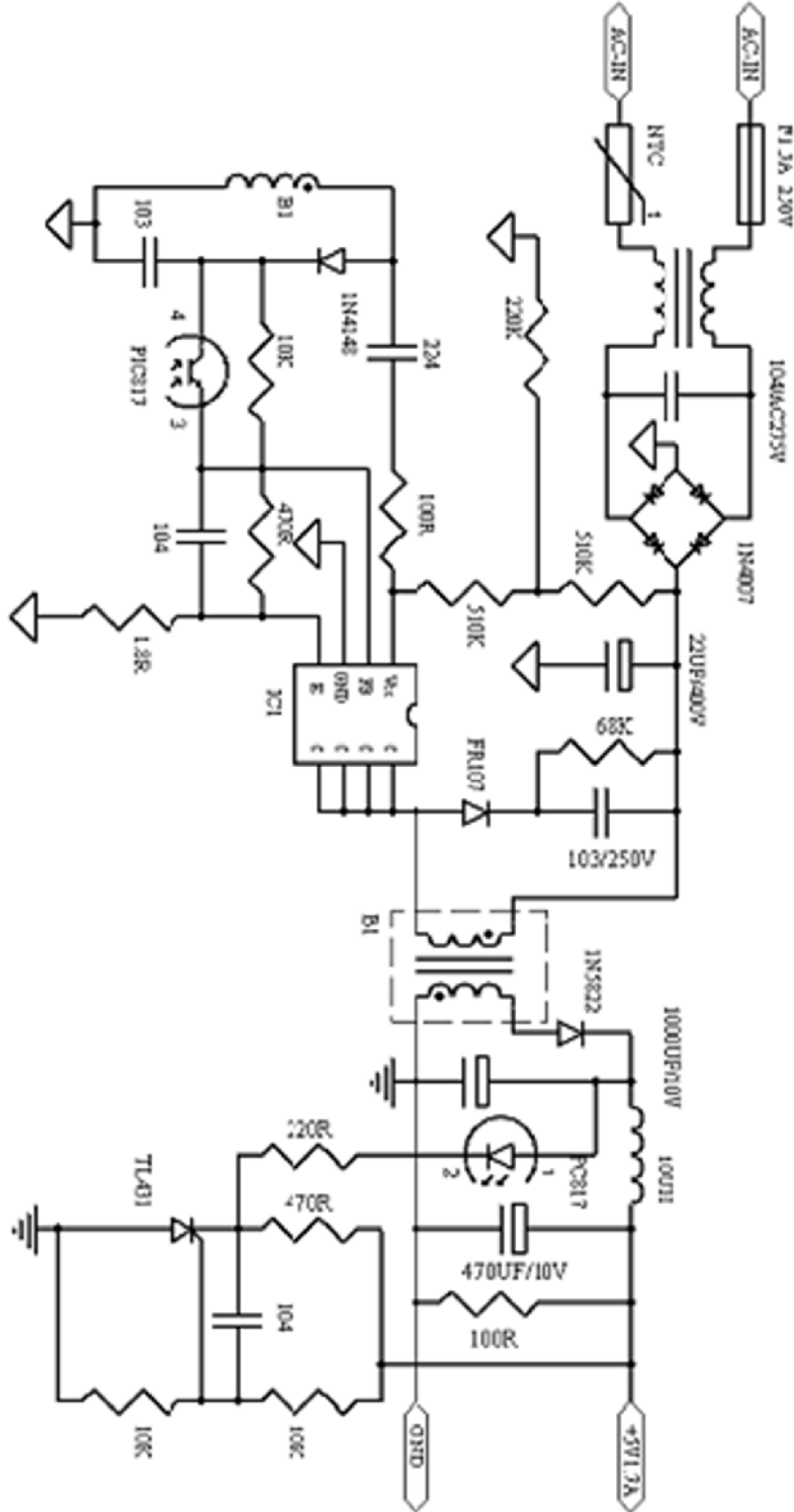
5.Mechanical Characteristics:

ITEM	CONDITION	SPECIFICATION
5.2 Input AC socket Type		DIP-2 EU Type
5.3 Output DC Cable Length		2464# 24AWG 0.9M DC:5.5*2.1*10.0MM
5.4AC Cable pulling Removal Strength	When the insert/withdraw force is between 2.5~3.0kgf, JEWEL should proceed the following test & submit samples to customer for confirmation :Inset the connector to the socket,no free falling of the Adapter is allowed when the assembly is hanged vertically.	
5.5 Plug Insert withdraw force		
5.6 Drop	Storage: Lift this unit a height of 1 meter onto a hardwood surface one time at 6 directions.There should be no damage.	
5.7 Color		
Case		Black
DC Cable (including Molding Core)		Black

ADAPTER

Electrical Specification

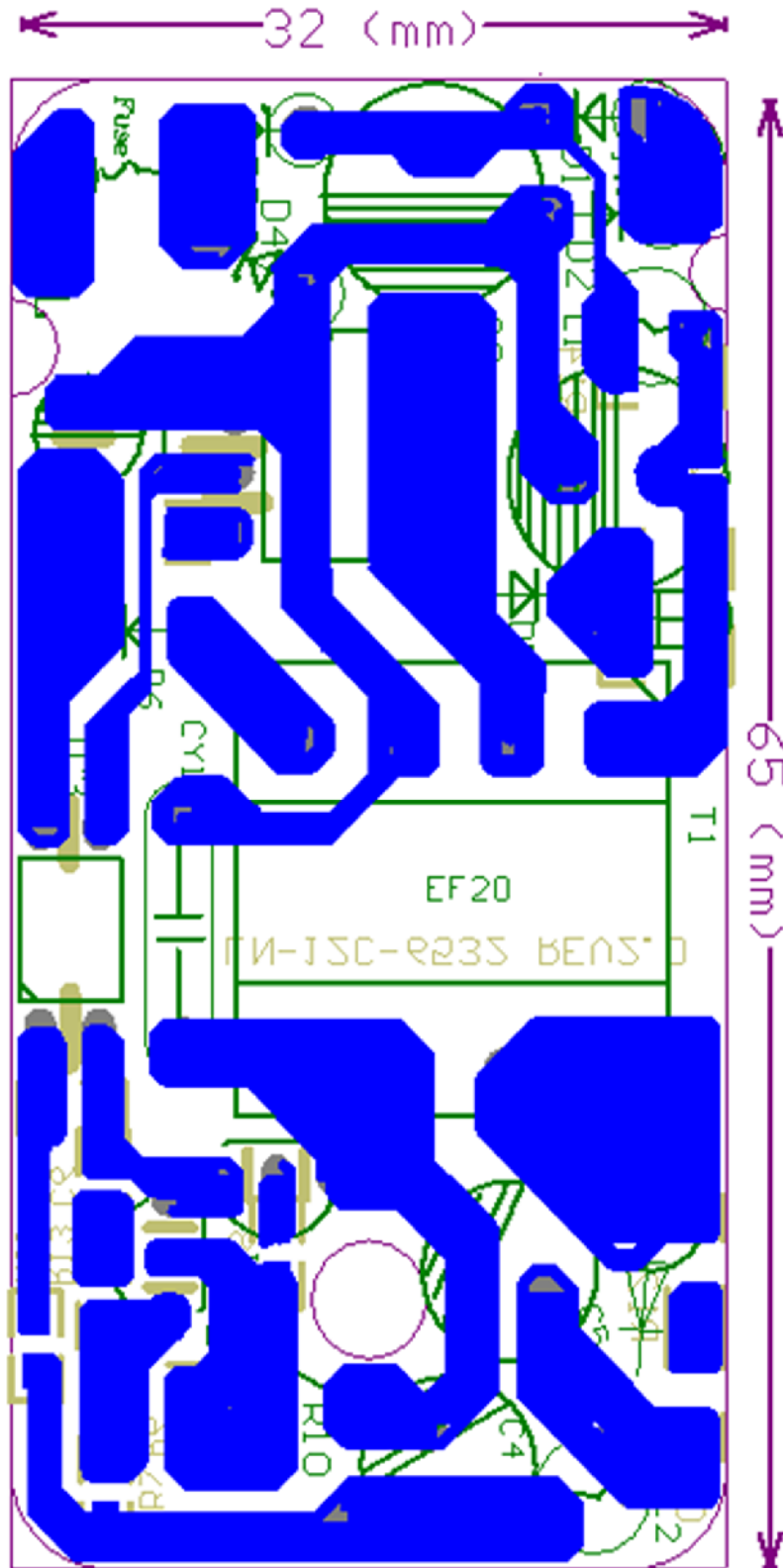
6.SCH



ADAPTER

Electrical Specification

7.PCB



MODEL NO.

SHEET 12 OF 15

Date : 2009-05-16

ADAPTER

Electrical Specification

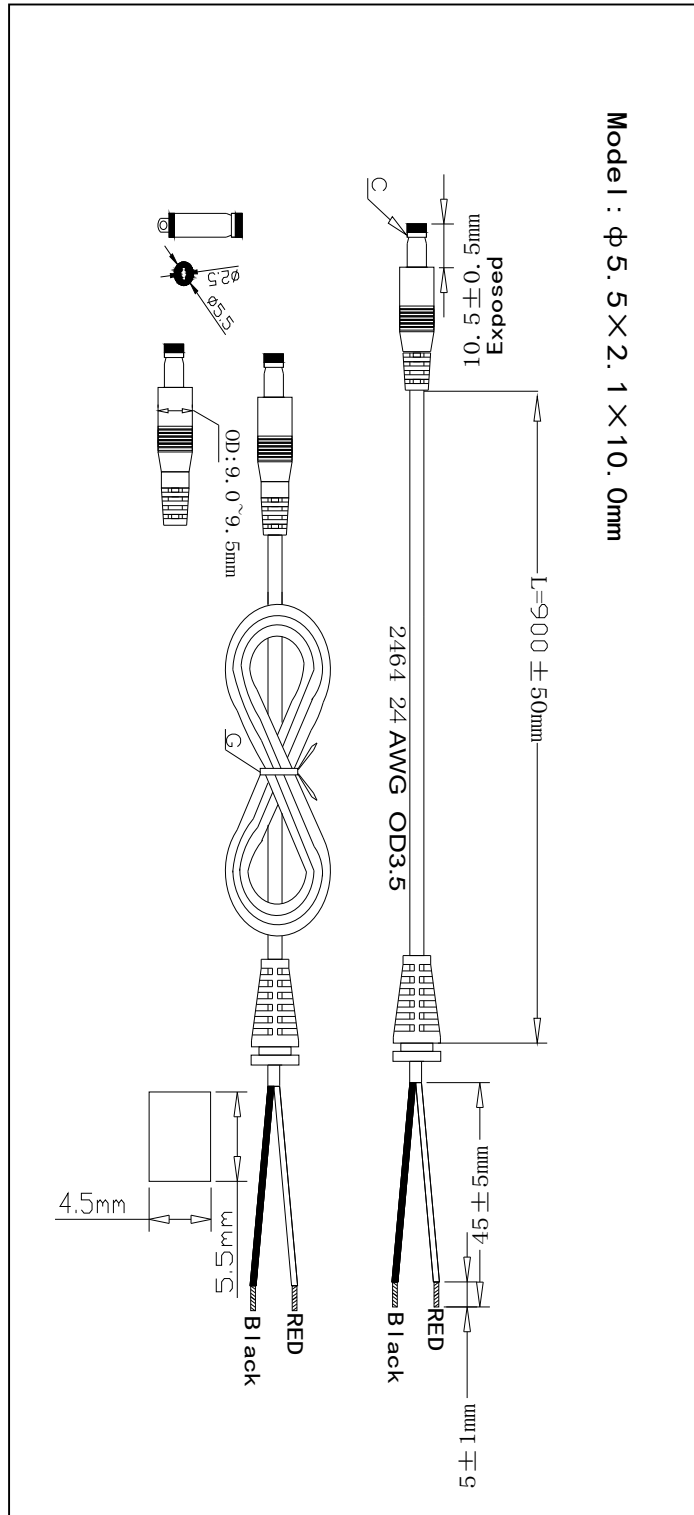
8.Appearance



ADAPTER

Electrical Specification

9. Output cables



ADAPTER

Electrical Specification

10.Nameplate

